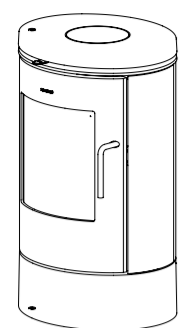
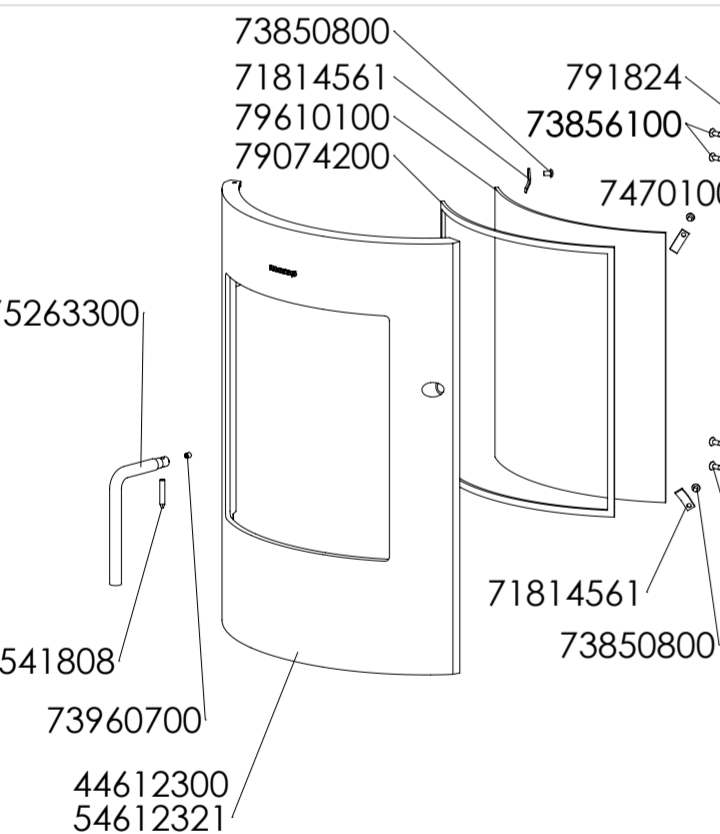
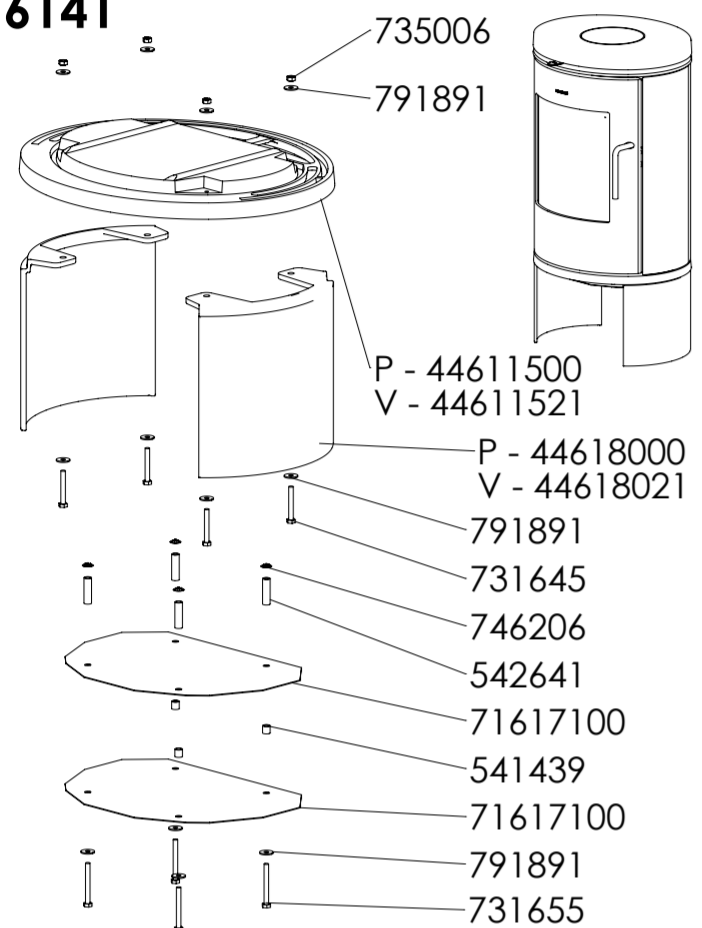


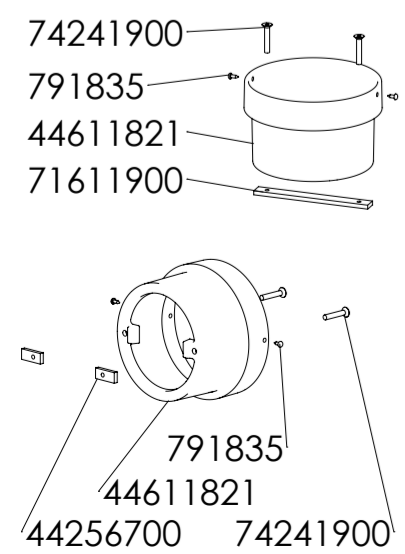
6140



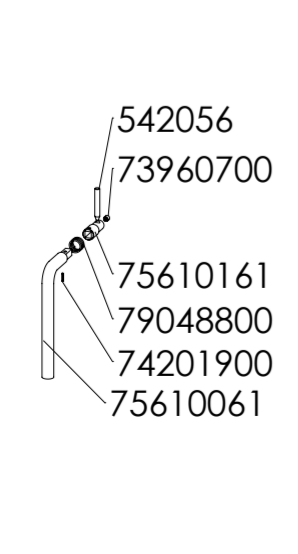
6141



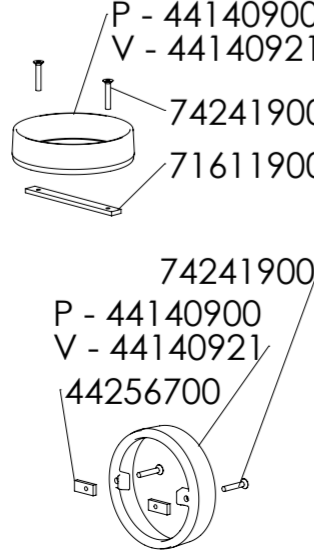
6100 US/CA/AUS



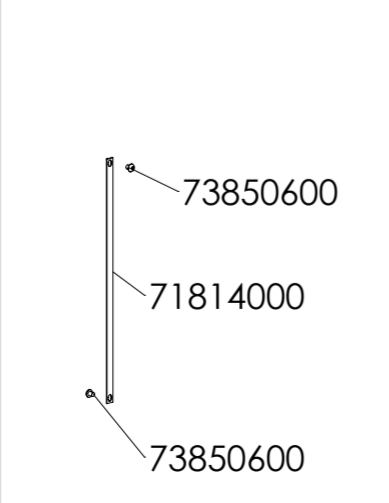
6100 US/CA



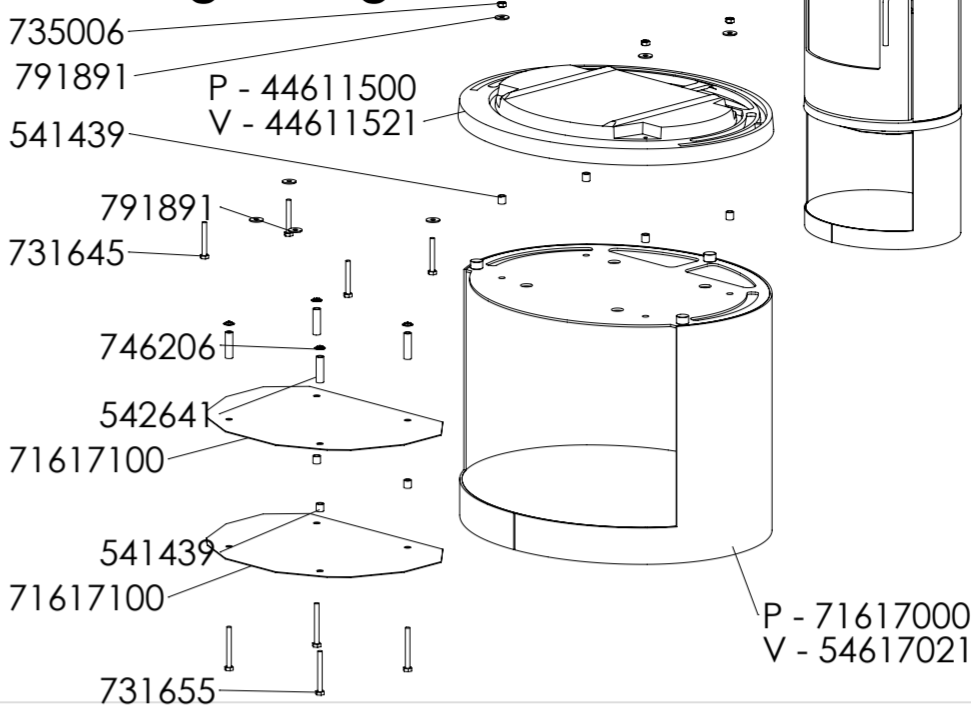
6100 UK



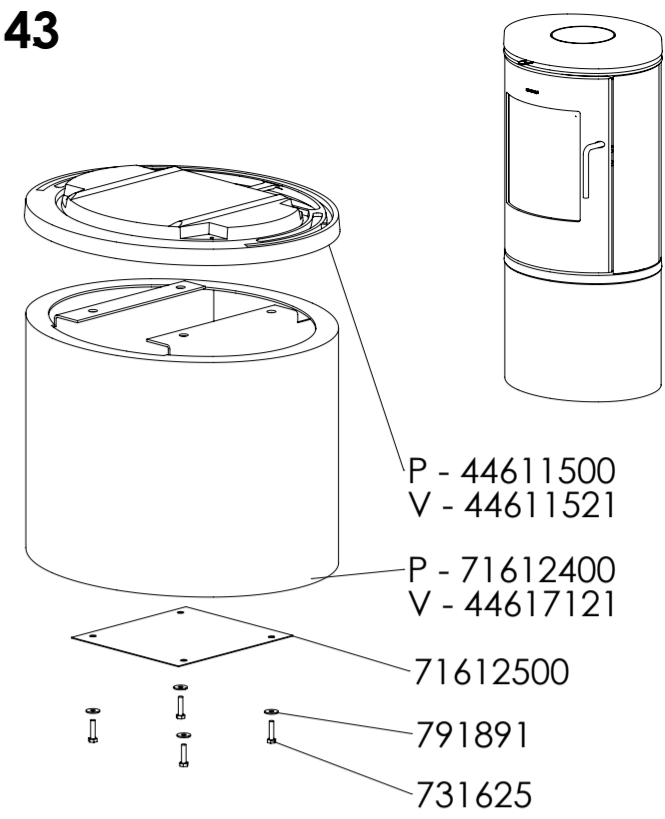
**6100 Tysk
6100 Germany**



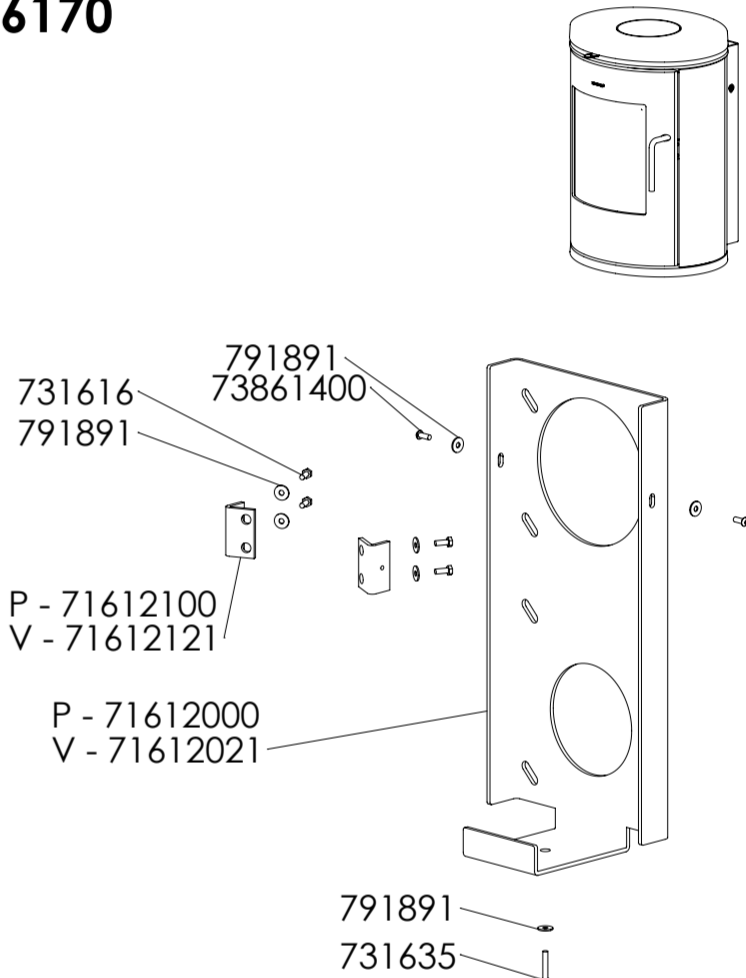
**6143
med brændemagasin/
with Log Storage**



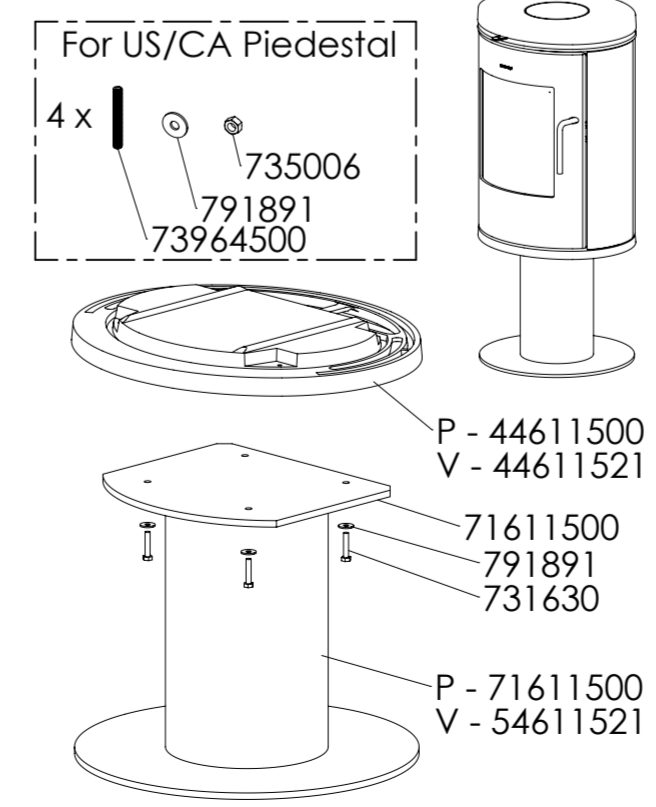
6143



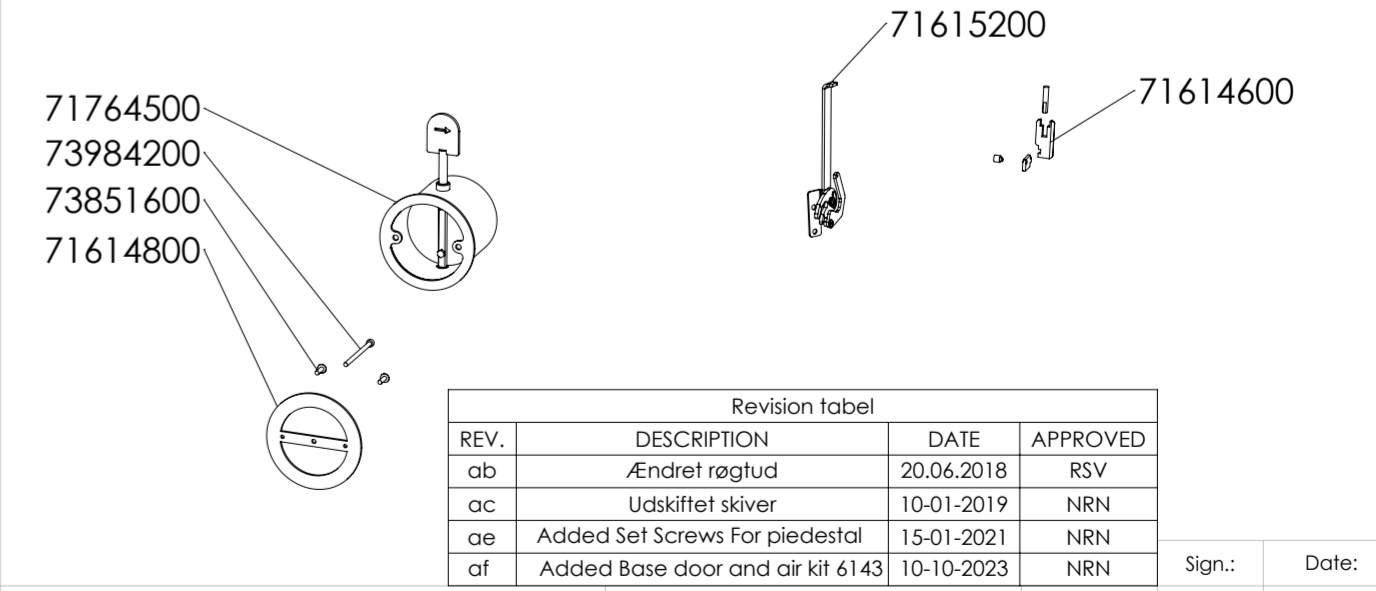
6170



6148



Out side air kit = 54011000
Tilkoblings sæt til friskluft = 54011000



Revision label			
REV.	DESCRIPTION	DATE	APPROVED
ab	Ændret røgtud	20.06.2018	RSV
ac	Udskiftet skiver	10-01-2019	NRN
ae	Added Set Screws For pedestal	15-01-2021	NRN
af	Added Base door and air kit 6143	10-10-2023	NRN

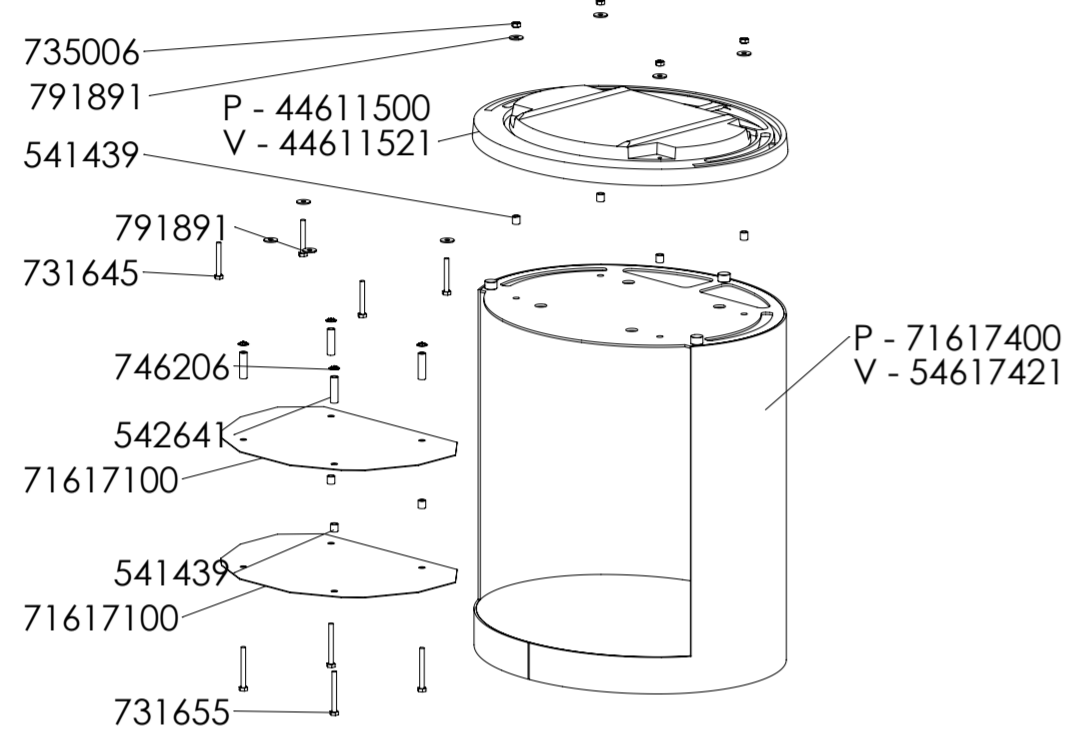
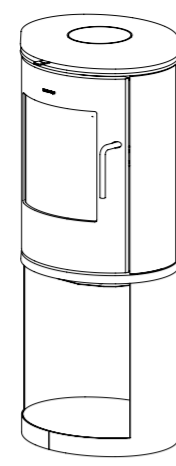
Material: -
Weight: -
Model no. -
Drawingtype: -
Location of file: C:\Working\6100 Assembly\5.DWG

Title: **6100 Exploded view
Reservedelstegning
Morsø 6100**

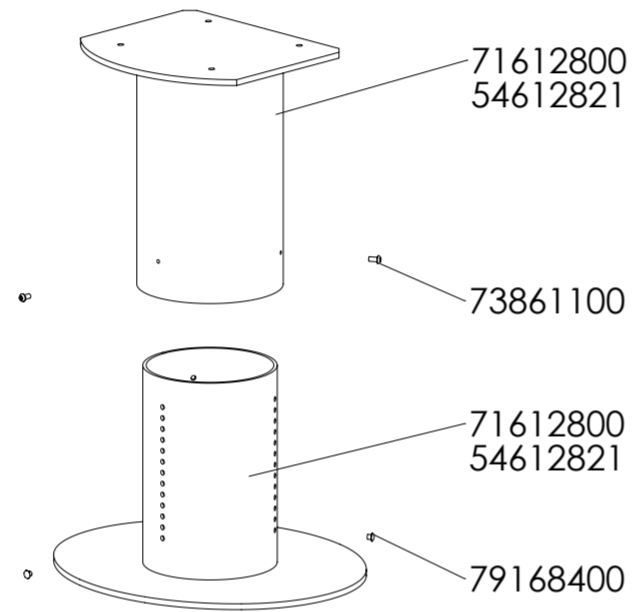
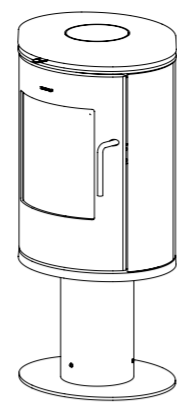
Construction: KDU 15.03.05
Released: KDU 10.08.06
Format: **A2**
Scale: **1:9**
Itemno.: -
Drawing no.: **6100-501 af**

Sign.: _____ Date: _____

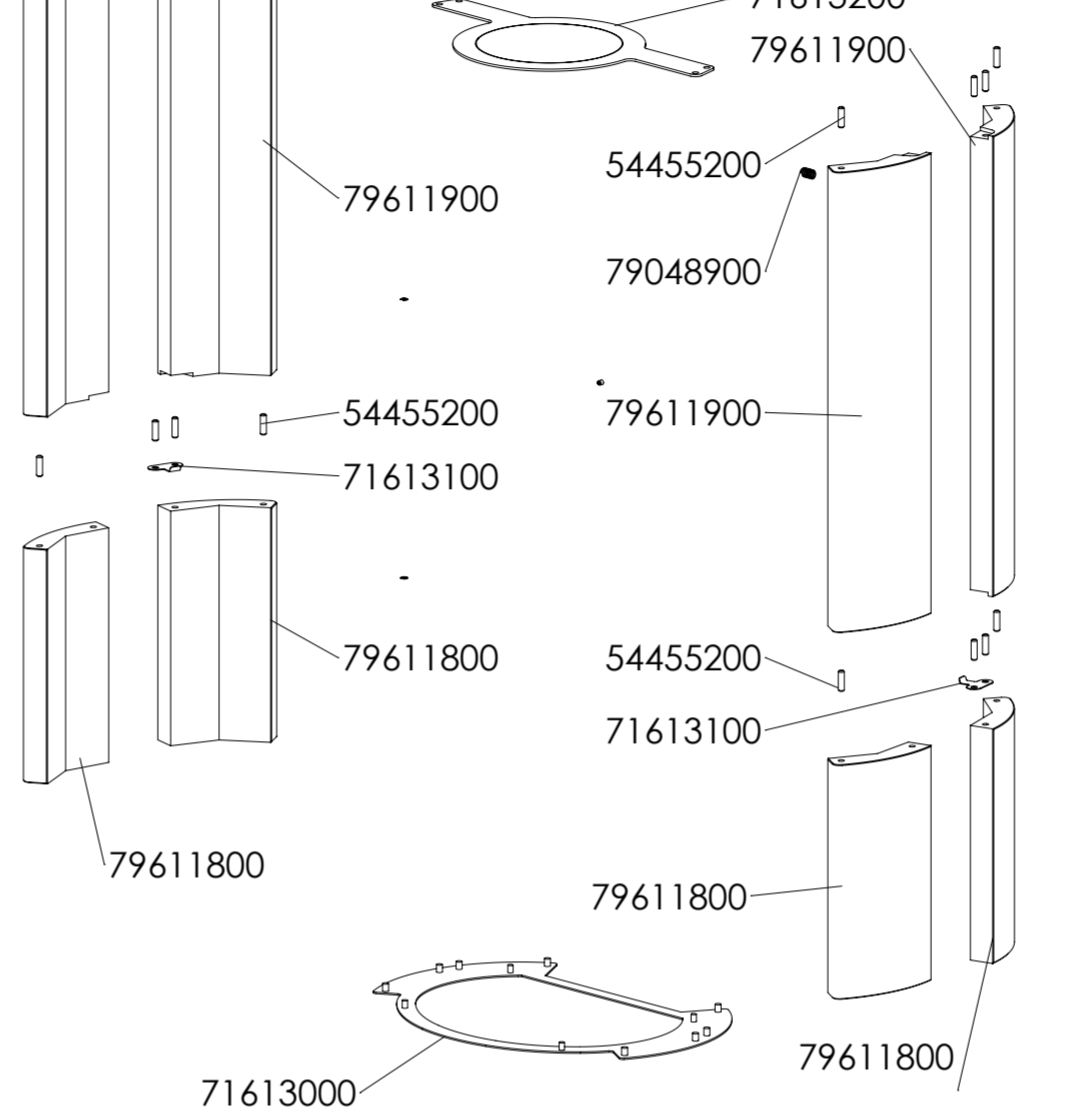
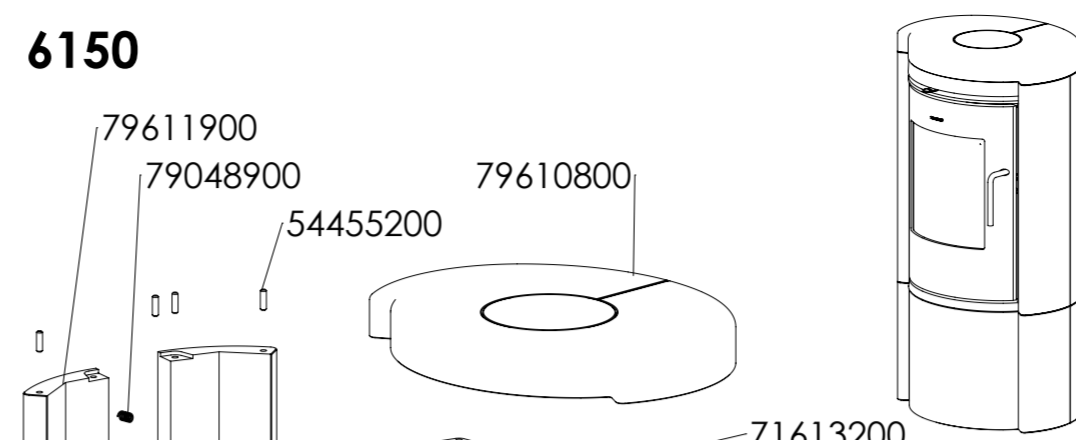
6193
med brændemagasin/
with Log Storage



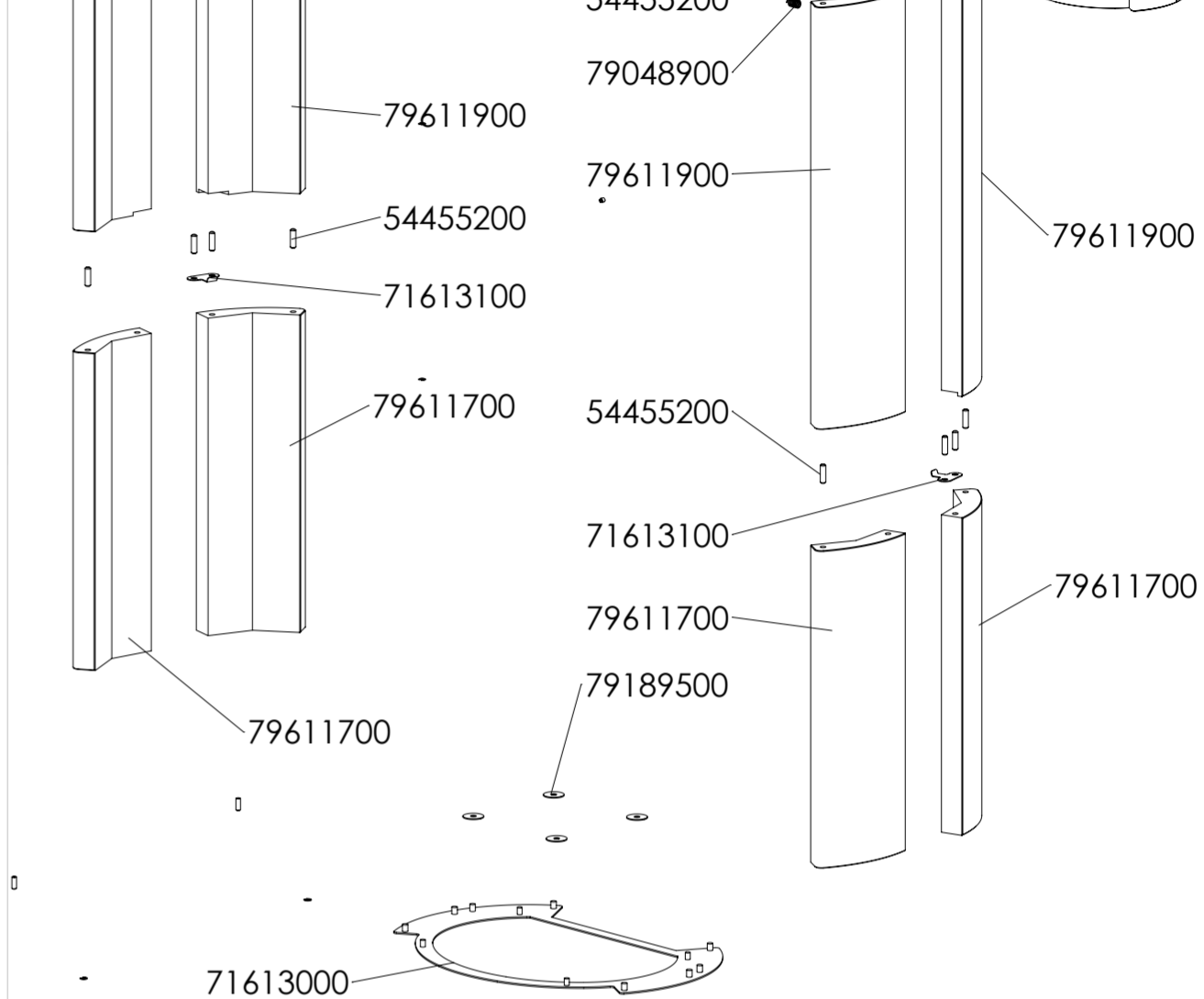
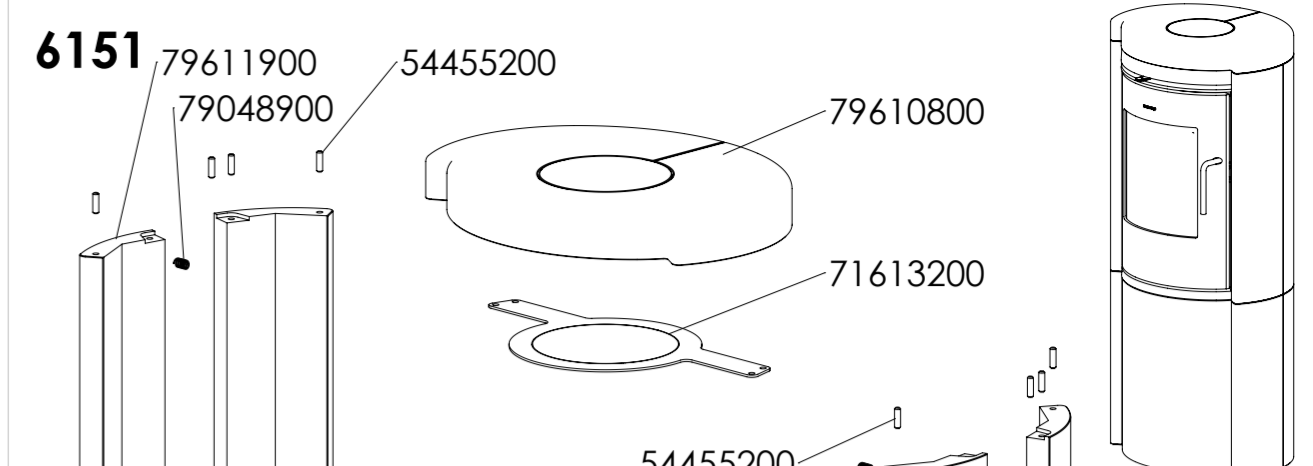
6149



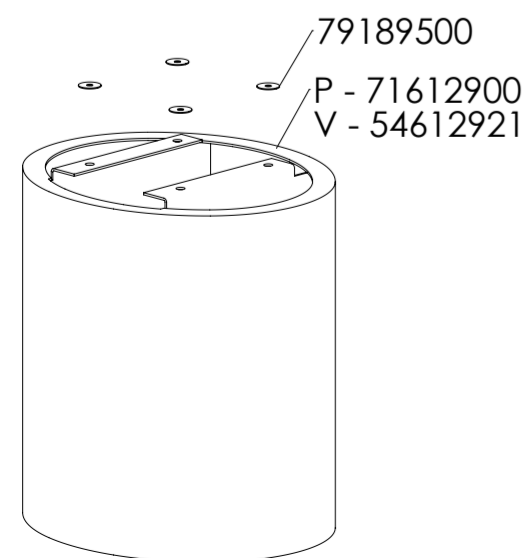
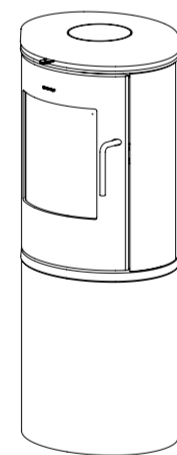
6150



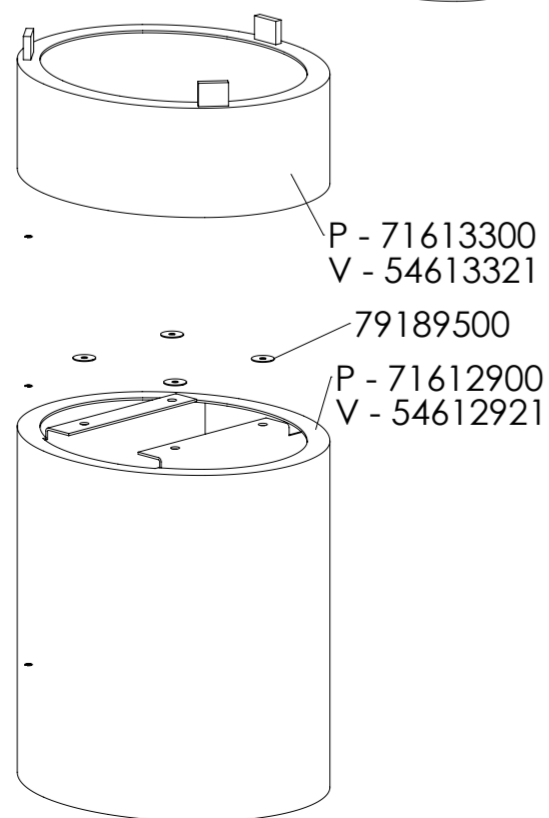
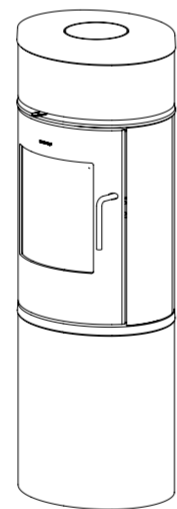
6151



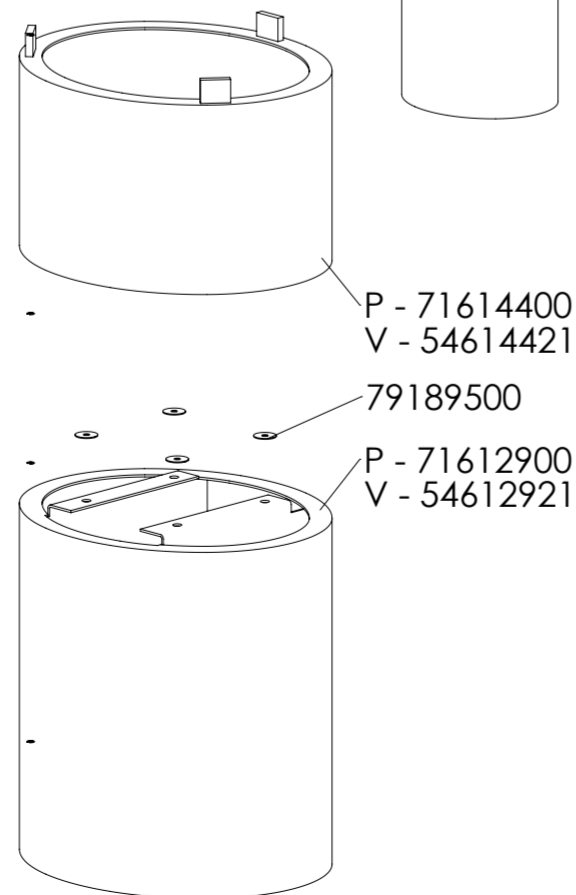
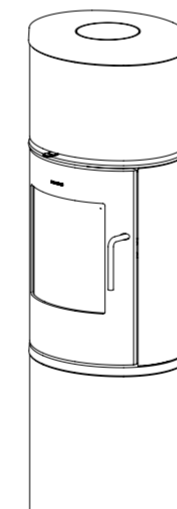
6190



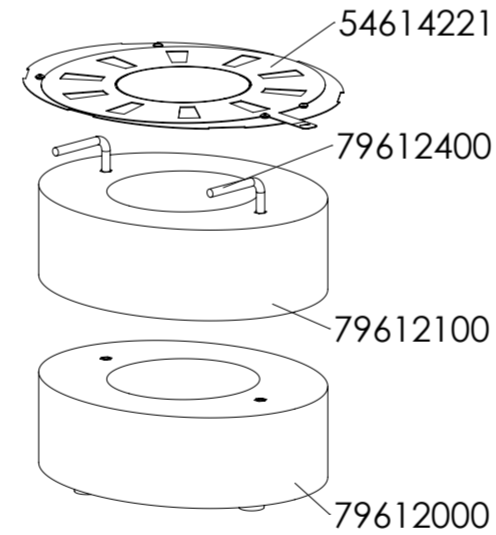
6191



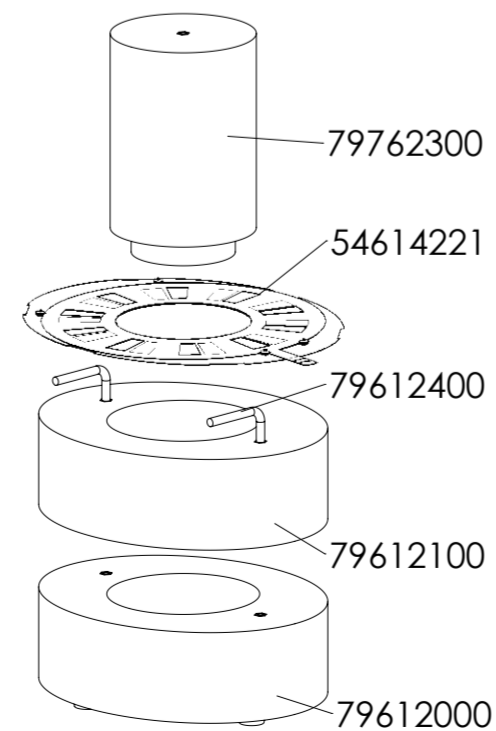
6192



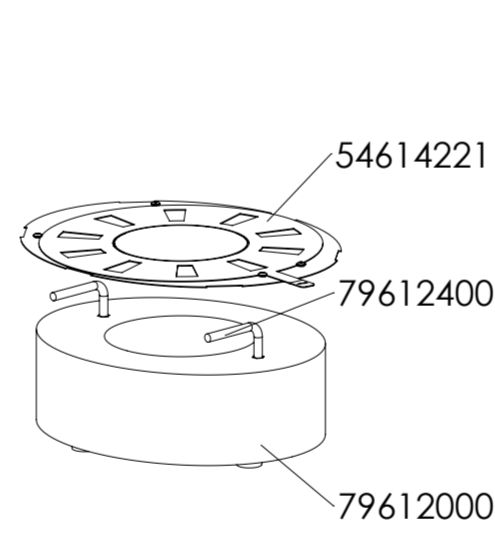
Option 6192 top outlet



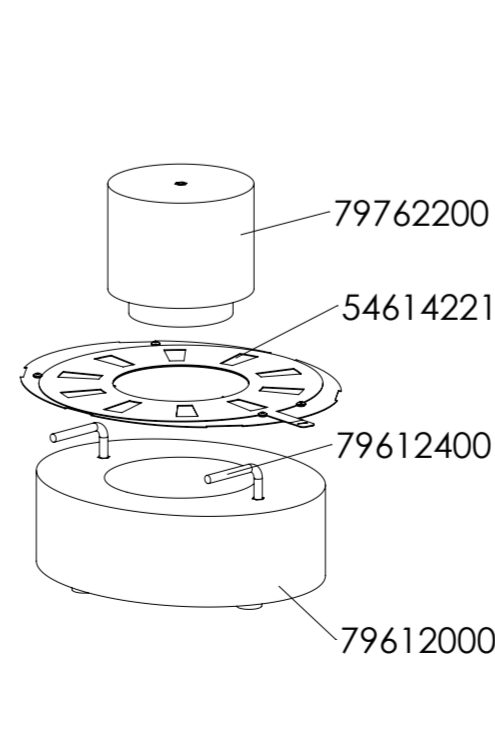
Option 6192 rear outlet



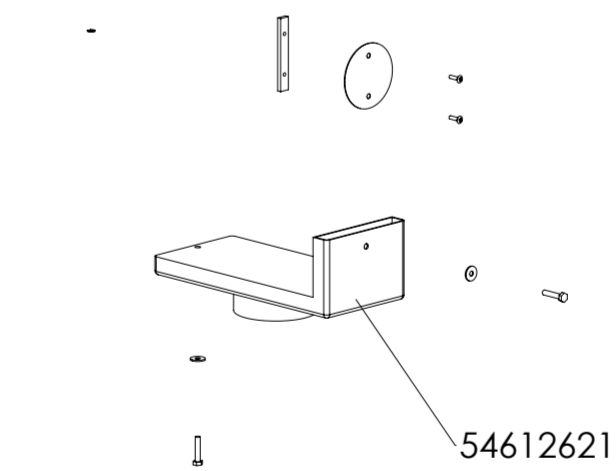
Option 6191 top outlet



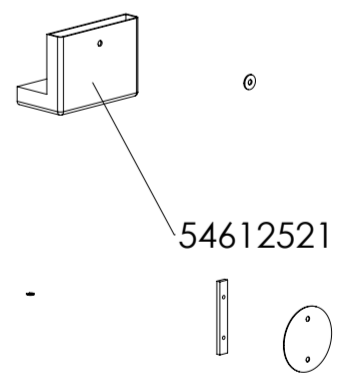
Option 6191 rear outlet



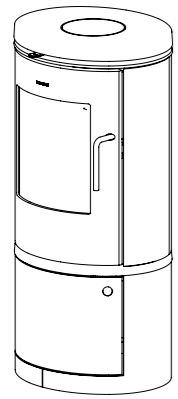
Option 6140-6143-6150-6151-6190-6191-6192



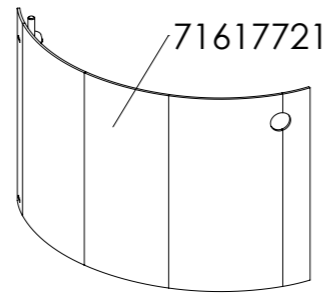
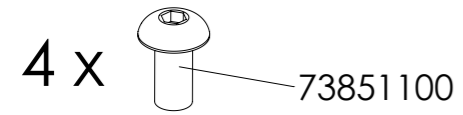
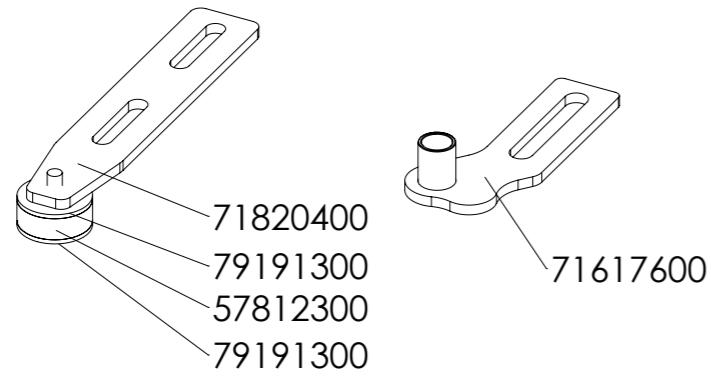
Option 6148-6149



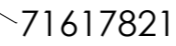
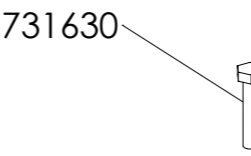
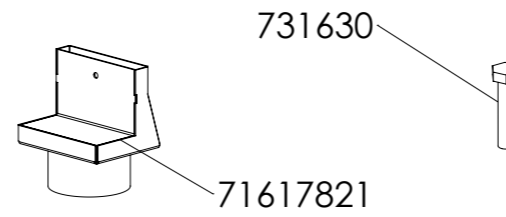
Material:		Sign.:	Date:
Weight:	-	Construction:	KDU 15.03.05
Model no.:		Released:	KDU 10.08.06
Drawing type:	-	Format:	A2
Location of file:	C:\Working\6100 Assembly\3D\ASM	Scale:	1:9
		Item no.:	-
		Drawing no.:	Side 2 of 3
		6100-501 af	



6143 Base door - 54617721



6143 Air kit - 54617821



Drilling Instructions 7.04.02

Dim. without indication of margin acc. to ISO Norm No.: 8062 CT9	Title:	Drawn by:	KDU	25.01.06
Material:	6100 Exploded view Reservedelstegning Morsø 6100	Last saved:	KDU	10/10/2023
Weight kg.: 115.51		Format:	A3	
Model no.:		Scale:	1:9	
Borefixturer:		Itemno.:		
Drawingtype: Assembly Instructions		Drawing no.:	Side 3 of 3	
Location of file: C:\MorsøPDM\Projects\Ovne\6100\6100 Assembly.SLDASM		6100-501 af		

This drawing is Morsø Jernstøberi A/S' property and must not be sold, lended or copied without any written authorization from the company.